

PLACE ZABAW

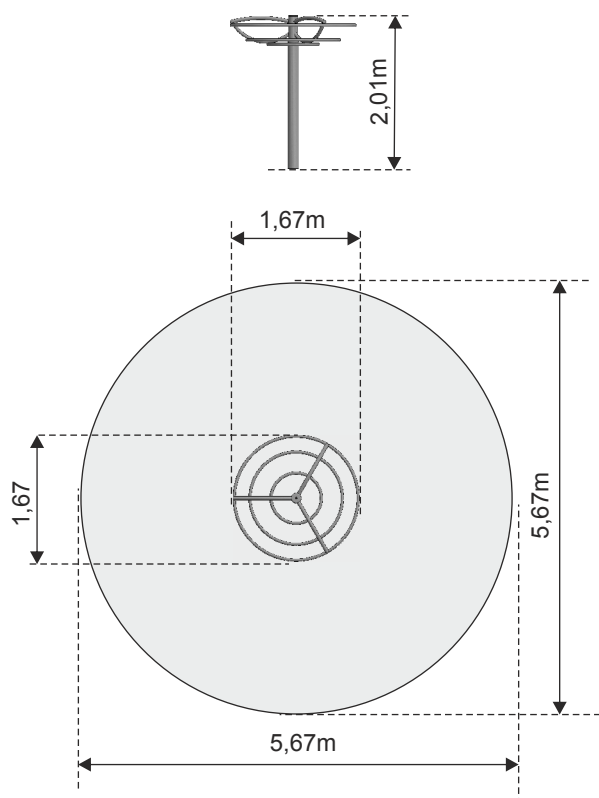
GOLD-MARK, A. Sałuda
tel.: +48 91 311 3334
tel.: +48 512 225 208
e-mail: gold-mark@gold-mark.pl

adres: Buk 29
72-003 Dobra Szczecińska

www.gold-mark.pl



 Safe surface required



CHINOOK

Cat. no. - 0753
Dimensions - 1,67 x 1,67m
Safe area - 5,67 x 5,67m
Obstacle-free area - 7,67 x 7,67m
Height - 2,01m
Free fall height - 1,0m