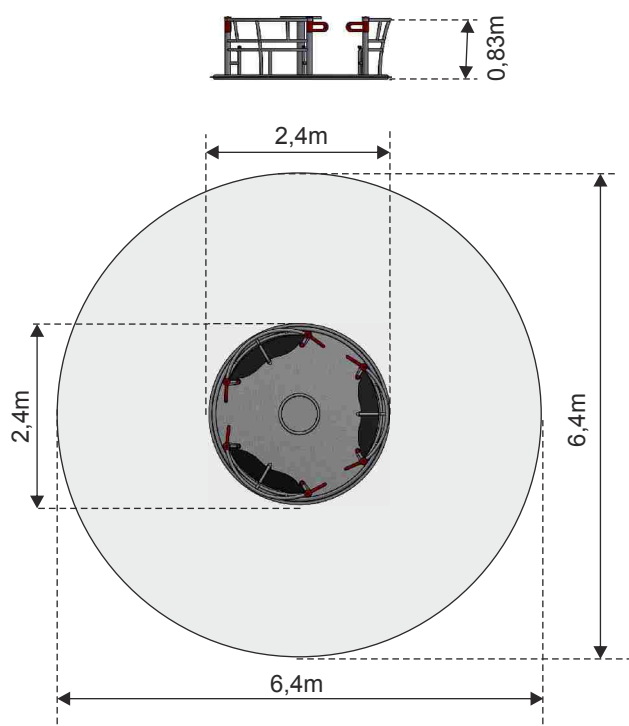




 Safe surface required



PONTIAC 3, Ø 2,4m

Cat. no. - 0621
Dimensions - 2,40 x 2,40m
Safe area - 6,40 x 6,40m
Height - 0,83m
Free fall height - 1,00m