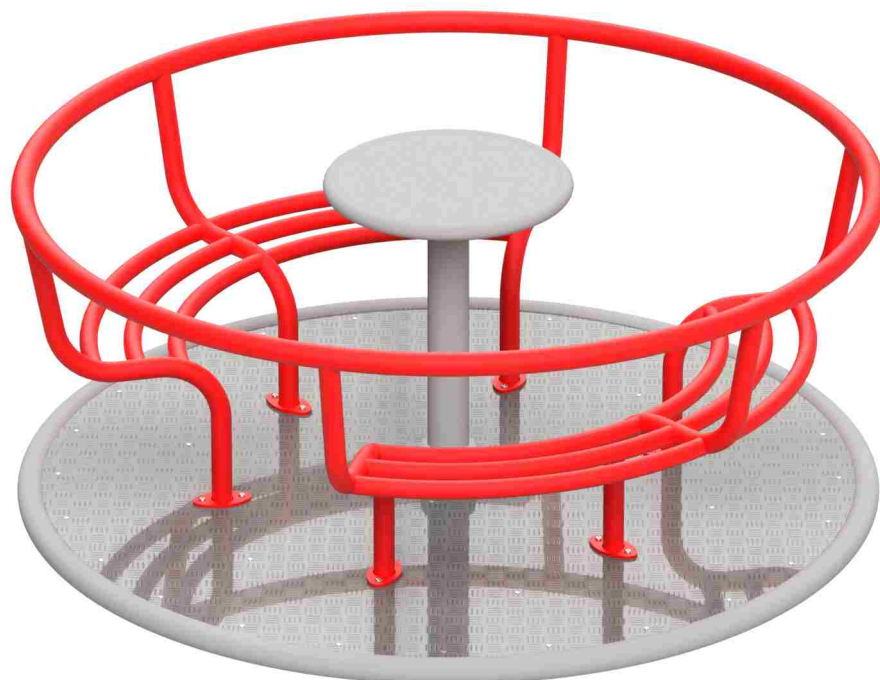



PLACE ZABAW

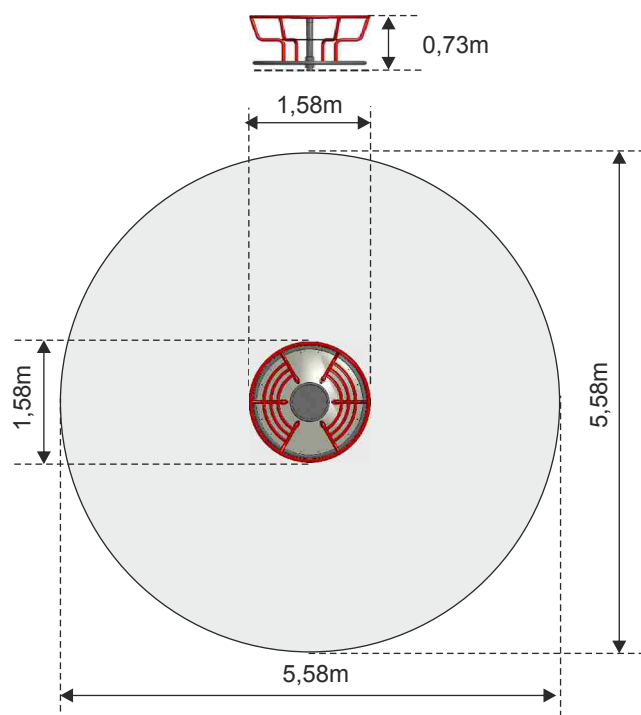
GOLD-MARK, A. Sałuda
tel.: +48 91 311 3334
tel.: +48 512 225 208
e-mail: gold-mark@gold-mark.pl

adres: Buk 29
72-003 Dobra Szczecińska

www.gold-mark.pl



 Safe surface required



CYCKLON 4 seats, Ø 1,58m

Cat. no. - 0244-4
Dimensions - 1,58 x 1,58m
Safe area - 5,58 x 5,58m
Height - 0,73m
Free fall height - 1,0m