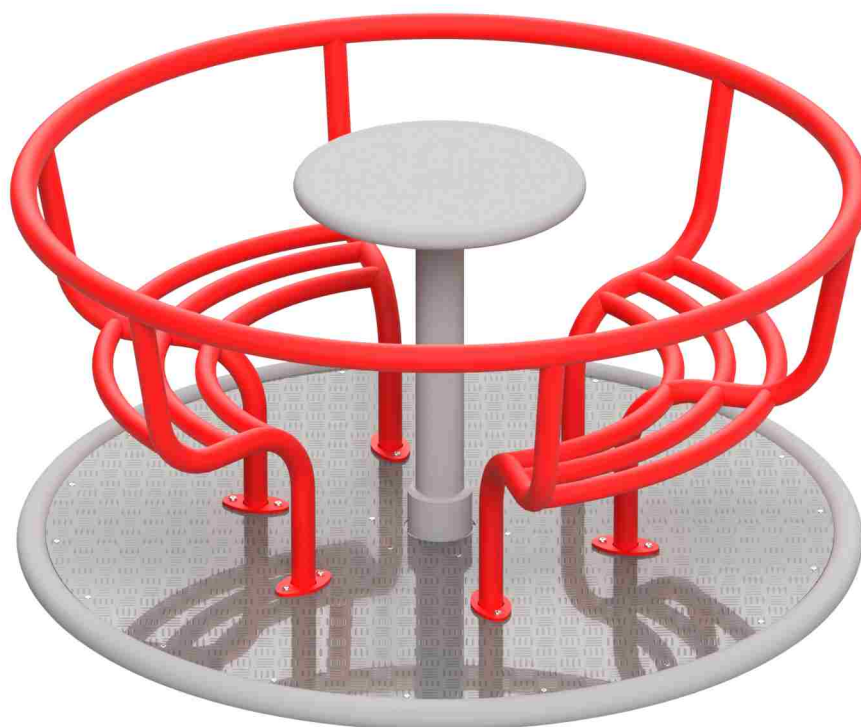


PLACE ZABAW

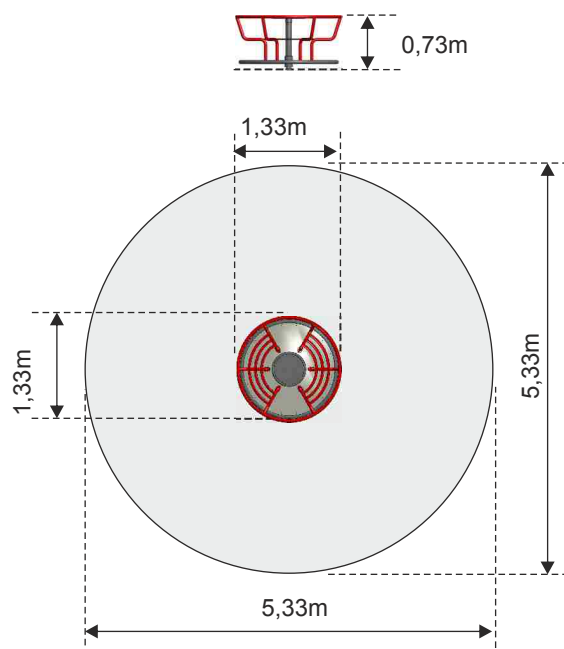
GOLD-MARK, A. Sałuda
tel.: +48 91 311 3334
tel.: +48 512 225 208
e-mail: gold-mark@gold-mark.pl

adres: Buk 29
72-003 Dobra Szczecińska

www.gold-mark.pl



 Safe surface required



CYKLON 4 seats, Ø 1,33m

Cat. no. - 0244-2
Dimensions - 1,33 x 1,33m
Safe area - 5,33 x 5,33m
Height - 0,73m
Free fall height - 1,0m